



**SMART  
RENTALS**  
GLASS LIFTING SOLUTIONS

## SL 780 OUTDOOR GIANT

For Outdoor Use

### HANDLES THE MOST RUGGED SITUATIONS

Easily and precisely lift large window sections, up to 1818 lbs, with the rough terrain SL 780 Outdoor Giant.

### GETS THE JOB DONE

Benefits of the SL 780 Outdoor Giant

#### LIFTING CAPACITY ARM

1819 lb / extended 595.4 lb

#### LIFTING HEIGHT

157.6 in (center of yoke)

#### TWO VACUUM CIRCUITS

With two pumps

#### FRONT-WHEEL DRIVE

With electronic brake

#### FOAM FILLED TIRES

For better maneuvering

#### ERGONOMIC OPERATION HANDLE

Increasing comfort

#### WATERPROOF

According to ip65

#### MANEUVERABLE

With dual rear wheels



### PRECISE ADJUSTMENT

Side shift allows for precise install adjustments



### EASY TRANSPORT

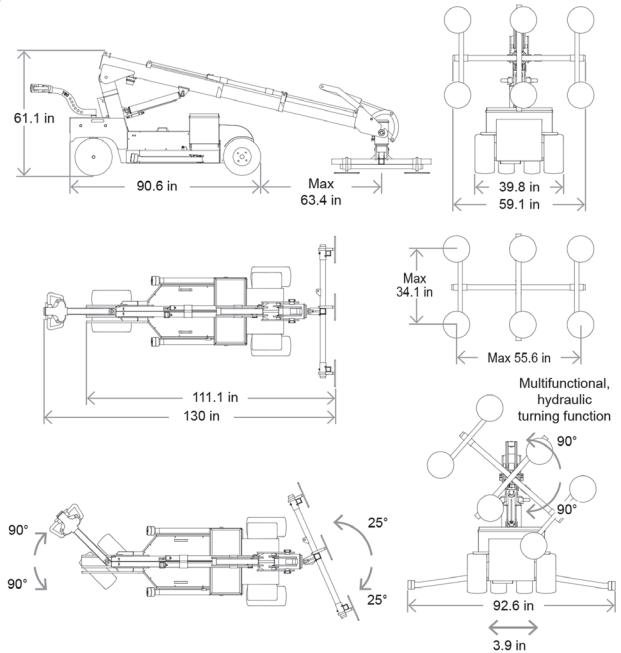
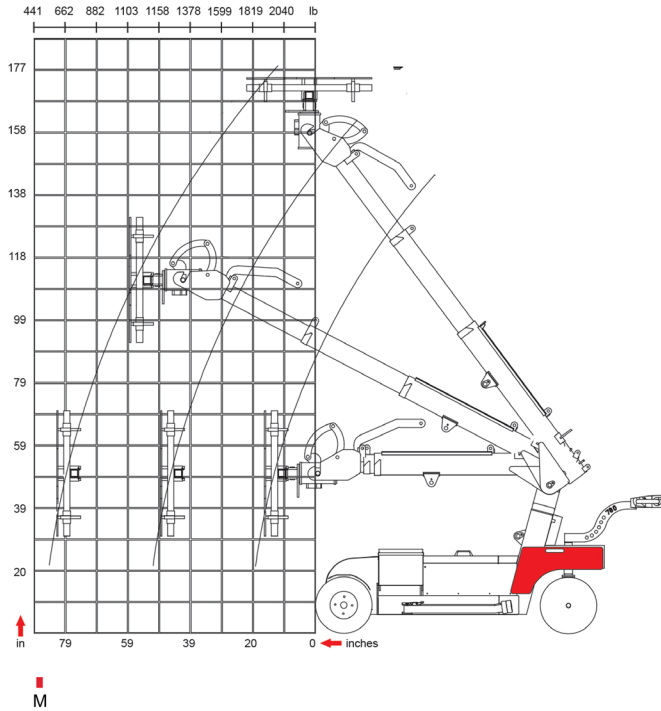
Lift is easily transported on a van or on a trailer



### OFF-ROAD

Wide tire design suitable for difficult off-road jobs

# LIFTING CAPACITY AND SPECS - SL 780 OUTDOOR GIANT



## TECHNICAL DATA

<b>Weight</b> 2867 lb	<b>Telescoping of arm</b> 2 x 32.7 in	<b>Lifting height</b> 173.4 in	<b>Running period</b> Approx. 8 hours	<b>Automatic suction</b> 2 vacuum pumps
<b>Height</b> 61.1 in	<b>Speed regulation</b> Stepless high/low	<b>Charging voltage</b> 115 volt	<b>Front-wheel drive</b> 2.68 hp	<b>Lifting capacity telescopic arm in/extended</b> 1819 lb/595.4 lb
<b>Width (min)</b> 39.8 in	<b>Sideshift</b> 3.9 in	<b>Charging time</b> Approx. 10 hours	<b>Brake</b> Electric	
<b>Length (min)</b> 111.1 in	<b>Vacuum system</b> 2 circuits	<b>Battery (4 x 12v)</b> <b>24 volt</b> 4 x 134 Ah	<b>Suction pads</b> 4 unit Ø 15.75 in 2 unit Ø 11.8 in	

## CAPTURED YOUR INTEREST?

Reach out for pricing and specials today!



7201 E Camelback Rd, Suite 250  
Scottsdale, AZ 85251

602.603.LIFT (5438)  
www.slrentals.com

